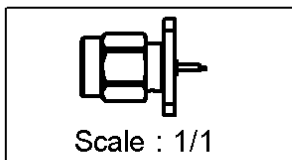
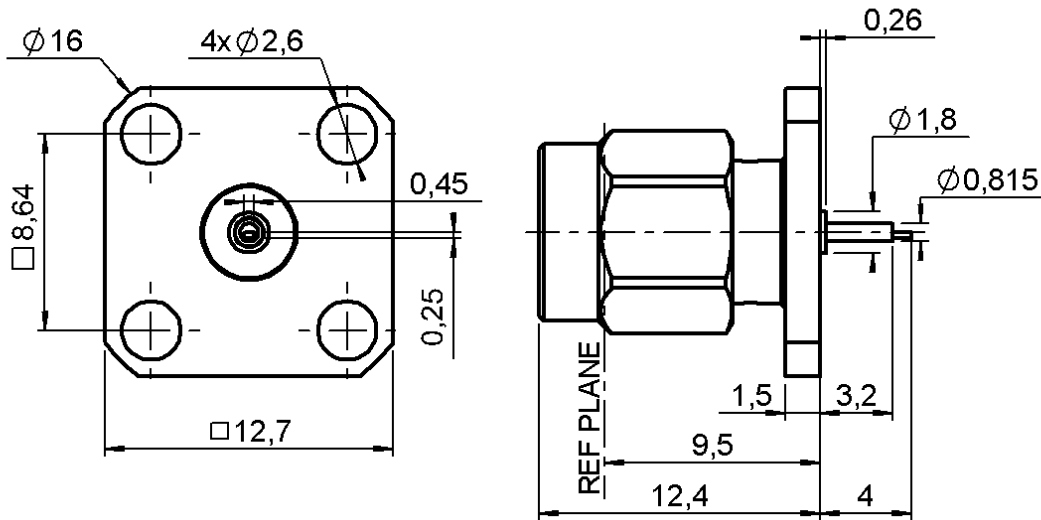


**SQUARE FLANGE PLUG RECEPTACLE
WITH SHOULDER TAB CONTACT**

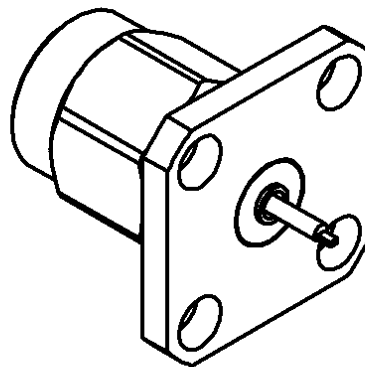
R125.500.000

Series : SMA



PANEL CUT OUT

mm		
	Maxi	mini
A	1.9	1.85
B	2.7	2.6
C	8.69	8.59



All dimensions are in mm.



COMPONENTS	MATERIALS	PLATINGS (μm)
BODY	STAINLESS STEEL	GOLD 0.5 OVER NICKEL 2
CENTER CONTACT	BERYLLIUM COPPER	GOLD 2.5 OVER NICKEL 2
OUTER CONTACT	-	-
INSULATOR	PTFE	-
GASKET	SILICONE RUBBER	-
OTHERS PARTS	STAINLESS STEEL	GOLD 0.5 OVER NICKEL 2
-	-	-
-	-	-

Issue : 0223 D

In the effort to improve our products, we reserve the right to make changes judged to be necessary.



**SQUARE FLANGE PLUG RECEPTACLE
WITH SHOULDER TAB CONTACT**

R125.500.000

Series : SMA

PACKAGING

SPECIFICATION

Standard	Unit	Other
1	-	Contact us

ELECTRICAL CHARACTERISTICS

ENVIRONMENTAL

Impedance **50** Ω
 Frequency **0-18** GHz
 VSWR **1.06** + **0.002** x F(GHz) Maxi
 Insertion loss **0.07*** √F(GHz) dB Maxi
 RF leakage - (**60** - F(GHz)) dB Maxi
 Voltage rating **500** Veff Maxi
 Dielectric withstanding voltage **1000** Veff mini
 Insulation resistance **5000** MΩ mini

Operating temperature **-65/+165** °C
 Hermetic seal **NA** Atm.cm3/s
 Panel leakage **NA**

OTHERS CHARACTERISTICS

Assembly instruction **NA**

Others :
 * Coaxial Transmission Line Only

MECHANICAL CHARACTERISTICS

Center contact retention
 Axial force – Mating end **27** N mini
 Axial force – Opposite end **27** N mini
 Torque **2.8** N.cm mini

Recommended torque
 Mating **100** N.cm
 Panel nut **NA** N.cm

Mating life **500** Cycles mini
 Weight **4.005** g

Issue : 0223 D

In the effort to improve our products, we reserve the right to make changes judged to be necessary.

